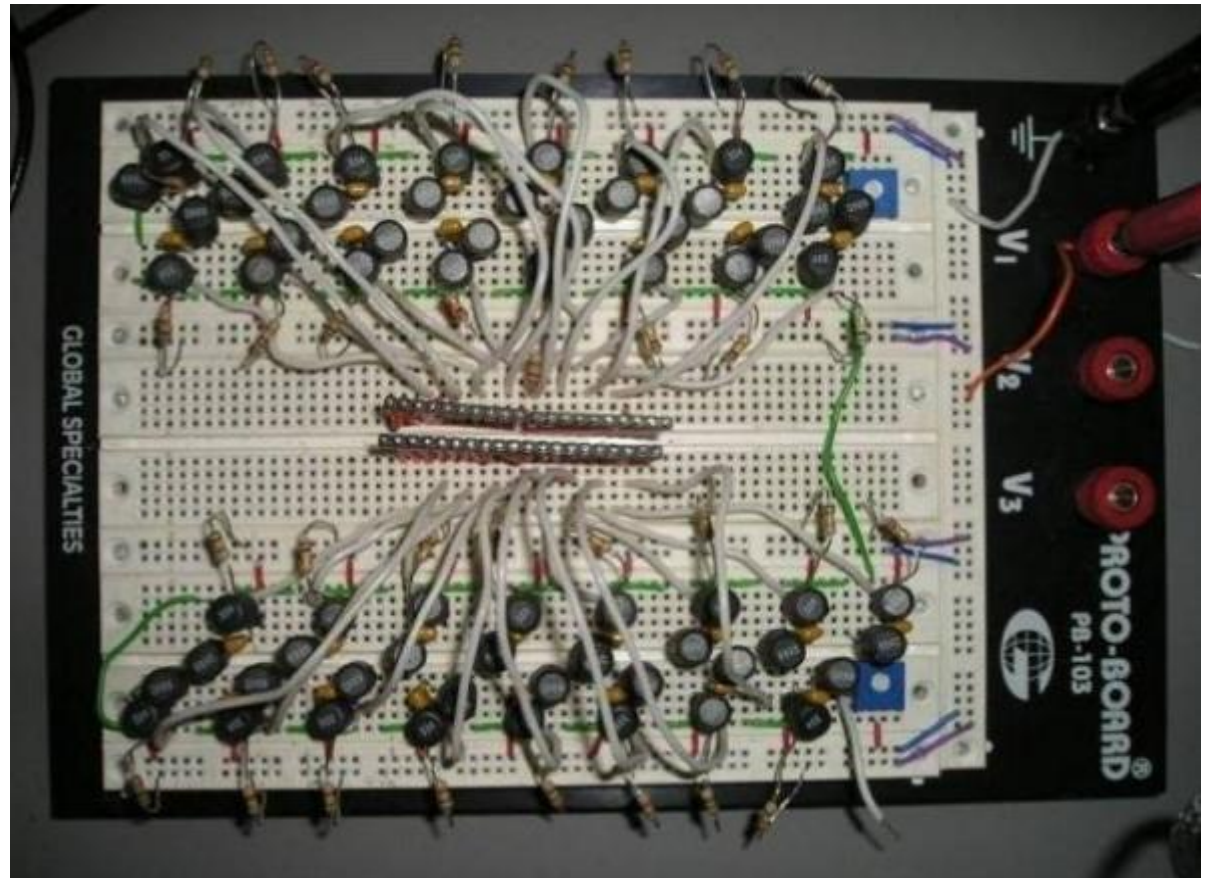


Discrete breathers in electrical lattices

Faustino Palmero Acebedo

Grupo de Física No Lineal
Universidad de Sevilla, España



**JSLoc 2019: Japanese-Spanish Symposium on
Energy Localization in Nonlinear Lattices,
Sevilla, Spain, September 23-28, 2019**